

# LumiPro SYSTEM



## PRODUCT INFORMATION

### Contents

LumiPro 1200	2
LumiPro 600	3
Connecting Corners	4
Mounting Hardware	5
Gallery	6



### Contact us

**EMAIL**  
info@ledsnaps.com

**PHONE**  
+44 (0) 1233 423 360

**WEBSITE**  
www.ledsnaps.com

**HEADQUARTERS**  
Units 21-24  
Creative Enterprise Quarter  
Javelin Way / Ashford / Kent  
TN24 8FN

# PRODUCT DATA SHEET



## LumiPro System - 1200



### PRODUCT DESCRIPTION

Modular design for ease of install.

Multiple installation options:  
Suspended/Surface mounted/Linkable.

The typical life of the product is 50,000 hours.

Clear polycarbonate cover + PMMA prismatic plate + frosted film.

Interchangeable CCT  
3000K/4000K/5000K with switch.

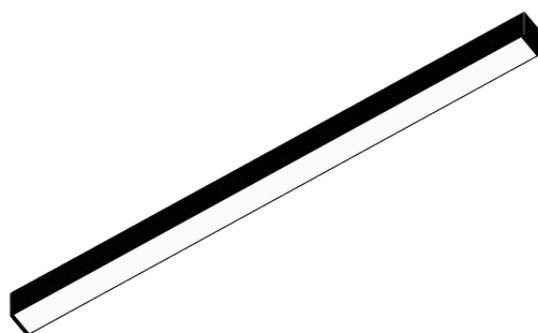
Flicker free and high efficiency LED driver.

High lumen efficiency, 100LM/W.

Non dim (on/off) / 0-10V or DALI (available upon request)

### SPECIFICATION DATA

<b>Light Source</b>	2835 SMD
<b>Typical source life</b>	50,000 hrs
<b>Power requirement</b>	220-240 VAC
<b>Power consumption</b>	36W
<b>Colour temperature</b>	3000K/4000K/5000K
<b>Beam angle</b>	80°
<b>Housing</b>	Aluminium
<b>Cover</b>	PC
<b>IP rating</b>	IP20
<b>Operating temperature</b>	-20°C - +45°C
<b>Storage temperature</b>	-20°C - +65°C
<b>Dimensions</b>	1200mm x 80mm x 58mm
<b>Weight</b>	1.9kg



# PRODUCT DATA SHEET



## LumiPro System - 600



### PRODUCT DESCRIPTION

Modular design for ease of install.

Multiple installation options:  
Suspended/Surface mounted/Linkable.

The typical life of the product is 50,000 hours.

Clear polycarbonate cover + PMMA prismatic plate + frosted film.

Interchangeable CCT  
3000K/4000K/5000K with switch.

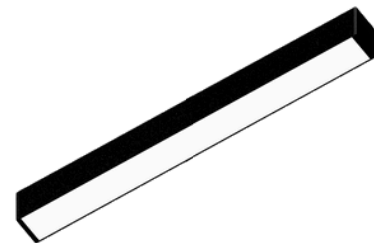
Flicker free and high efficiency LED driver.

High lumen efficiency, 100LM/W.

Non dim (on/off) / 0-10V or DALI (available upon request)

### SPECIFICATION DATA

<b>Light Source</b>	2835 SMD
<b>Typical source life</b>	50,000 hrs
<b>Power requirement</b>	220-240 VAC
<b>Power consumption</b>	18W
<b>Colour temperature</b>	3000K/4000K/5000K
<b>Beam angle</b>	80°
<b>Housing</b>	Aluminium
<b>Cover</b>	PC
<b>IP rating</b>	IP20
<b>Operating temperature</b>	-20°C - +45°C
<b>Storage temperature</b>	-20°C - +65°C
<b>Dimensions</b>	600mm x 80mm x 58mm
<b>Weight</b>	1kg



# PRODUCT DATA SHEET



## LumiPro System - Connecting corners



## PRODUCT DESCRIPTION

Modular design for ease of install.

Multiple installation options:  
Suspended/Surface mounted/Linkable.

The typical life of the product is 50,000 hours.

Clear polycarbonate cover + PMMA prismatic plate + frosted film.

Interchangeable CCT  
3000K/4000K/5000K with switch.

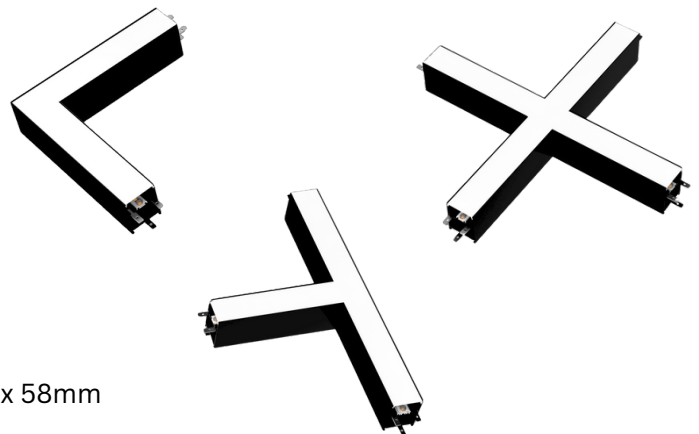
Flicker free and high efficiency LED driver.

High lumen efficiency, 100LM/W.

Non dim (on/off) / 0-10V or DALI (available upon request)

## SPECIFICATION DATA

<b>Light Source</b>	2835 SMD
<b>Typical source life</b>	50,000 hrs
<b>Power requirement</b>	220-240 VAC
<b>Power consumption</b>	19W   15W   11W
<b>Colour temperature</b>	3000K/4000K/5000K
<b>Beam angle</b>	80°
<b>Housing</b>	Aluminium
<b>Cover</b>	PC
<b>IP rating</b>	IP20
<b>Operating temperature</b>	-20°C - +45°C
<b>Storage temperature</b>	-20°C - +65°C
<b>Dimensions</b>	142mm (arm length) x 80mm x 58mm
<b>Weight</b>	1.25kg   1kg   0.7kg



# PRODUCT DATA SHEET

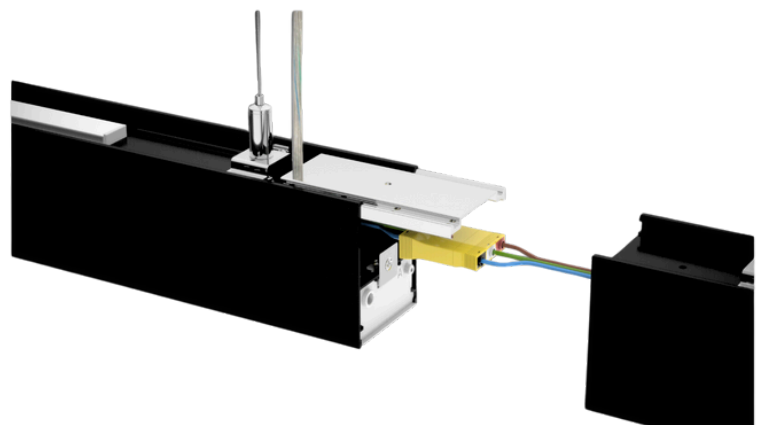


## LumiPro System - Mounting hardware

### DESCRIPTION

LumiPro system can be fitted as suspended lighting fixtures using a drop wire.

Alternatively the lighting fixtures can be surface mounted onto a flat surface.



# LumiPro System

## Gallery

