

# PACE SYSTEM



# PRODUCT INFORMATION

## Contents

PACE 1200	2
PACE 600	3
PACE 400	4
PACE 1200 Top Input	5
PACE 1200 Top Output	6
PACE 600 Top Input	7
PACE 600 Top Output	8
Driver 8 Pro	9
Driver 4 Pro	10
Control Panel	11
Connecting Corners	12
Essential Extras	13



## Contact us

### EMAIL

[info@ledsnaps.com](mailto:info@ledsnaps.com)

### PHONE

+44 (0) 1233 423 360

### WEBSITE

[www.ledsnaps.com](http://www.ledsnaps.com)

### HEADQUARTERS

Units 21-24  
Creative Enterprise Quarter  
Javelin Way / Ashford / Kent  
TN24 8FN

# PRODUCT DATA SHEET

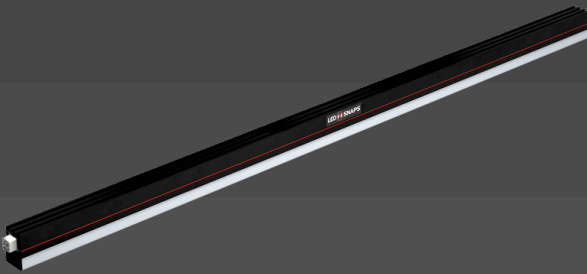


## PACE System - 1200



### SPECIFICATION DATA

<b>Light source</b>	72 LEDs
<b>Typical source life</b>	50,000 hrs
<b>Power requirement</b>	230 VAC
<b>Power consumption</b>	18 W
<b>Colour temperature</b>	RGB
<b>Viewing angle</b>	120°
<b>Housing</b>	Aluminium profile
<b>Cover</b>	PC Diffused cover
<b>IP rating</b>	IP20
<b>Control</b>	LED Snaps Driver
<b>Power Supply</b>	230 VAC I/P, 12V DC internal
<b>Connection</b>	Integrated 5-pin (Mains & Data)
<b>Listing</b>	CE Certified
<b>Operation temp</b>	-20°C to +40°C
<b>Storage temp</b>	-20°C to +70°C
<b>Dimensions</b>	1212mm x 53mm x 35mm
<b>Weight</b>	1.2kg
<b>Pixel Count</b>	24 Pixels



### DESCRIPTION

24 Controllable pixels arranged across 72 LEDs for both static and dynamic lighting effects from a custom made LED PCB.

Designed to work exclusively with the LED Snaps Driver range.

Providing an immersive lighting experience with a hassle free installation.

Powered internally by Mean Well for stable and reliable power.

Up to 20 Pace can be joined together from a single Driver output.

Each Pace locks into the next for safety.

Plug and play installation.



# PRODUCT DATA SHEET

## PACE System - 600



### SPECIFICATION DATA



<b>Light source</b>	36 LEDs
<b>Typical source life</b>	50,000 hrs
<b>Power requirement</b>	230 VAC
<b>Power consumption</b>	9 W
<b>Colour temperature</b>	RGB
<b>Viewing angle</b>	120°
<b>Housing</b>	Aluminium profile
<b>Cover</b>	PC Diffused cover
<b>IP rating</b>	IP20
<b>Control</b>	LED Snaps Driver
<b>Power Supply</b>	230 VAC I/P, 12V DC internal
<b>Connection</b>	Integrated 5-pin (Mains & Data)
<b>Listing</b>	CE Certified
<b>Operation temp</b>	-20°C to +40°C
<b>Storage temp</b>	-20°C to +70°C
<b>Dimensions</b>	612mm x 53mm x 35mm
<b>Weight</b>	0.75kg
<b>Pixel Count</b>	12 Pixels

### DESCRIPTION

12 Controllable pixels arranged across 36 LEDs for both static and dynamic lighting effects from a custom made LED PCB.

Designed to work exclusively with the LED Snaps Driver range.

Providing an immersive lighting experience with a hassle free installation.


Powered internally by Mean Well for stable and reliable power.


Up to 20 Pace can be joined together from a single Driver output.


Each Pace locks into the next for safety.

Plug and play installation.



 [info@ledsnaps.com](mailto:info@ledsnaps.com)

 +44 (0) 1233 423 360

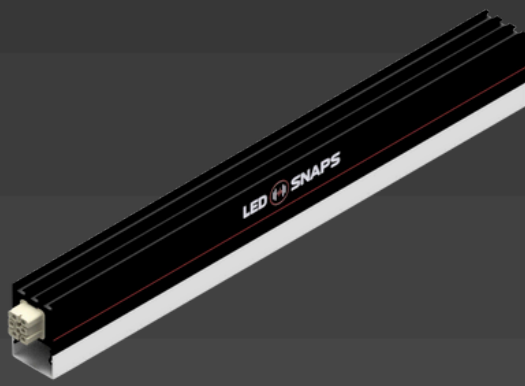
 [www.ledsnaps.com](http://www.ledsnaps.com)

# PRODUCT DATA SHEET

## PACE System - 400



### SPECIFICATION DATA



<b>Light source</b>	24 LEDs
<b>Typical source life</b>	50,000 hrs
<b>Power requirement</b>	230 VAC
<b>Power consumption</b>	6 W
<b>Colour temperature</b>	RGB
<b>Viewing angle</b>	120°
<b>Housing</b>	Aluminium profile
<b>Cover</b>	PC Diffused cover
<b>IP rating</b>	IP20
<b>Control</b>	LEDSnaps Driver
<b>Power Supply</b>	230 VAC I/P, 12V DC internal
<b>Connection</b>	Integrated 5-pin (Mains & Data)
<b>Listing</b>	CE Certified
<b>Operation temp</b>	-20°C to +40°C
<b>Storage temp</b>	-20°C to +70°C
<b>Dimensions</b>	412mm x 53mm x 35mm
<b>Weight</b>	0.55kg
<b>Pixel Count</b>	8 Pixels

### DESCRIPTION

8 Controllable pixels arranged across 24 LEDs for both static and dynamic lighting effects from a custom made LED PCB.

Designed to work exclusively with the LEDSnaps Driver range.

Providing an immersive lighting experience with a hassle free installation.

Powered internally by Mean Well for stable and reliable power.

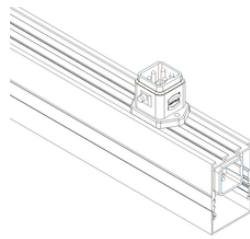
Up to 20 Pace can be joined together from a single Driver output.

Each Pace locks into the next for safety.

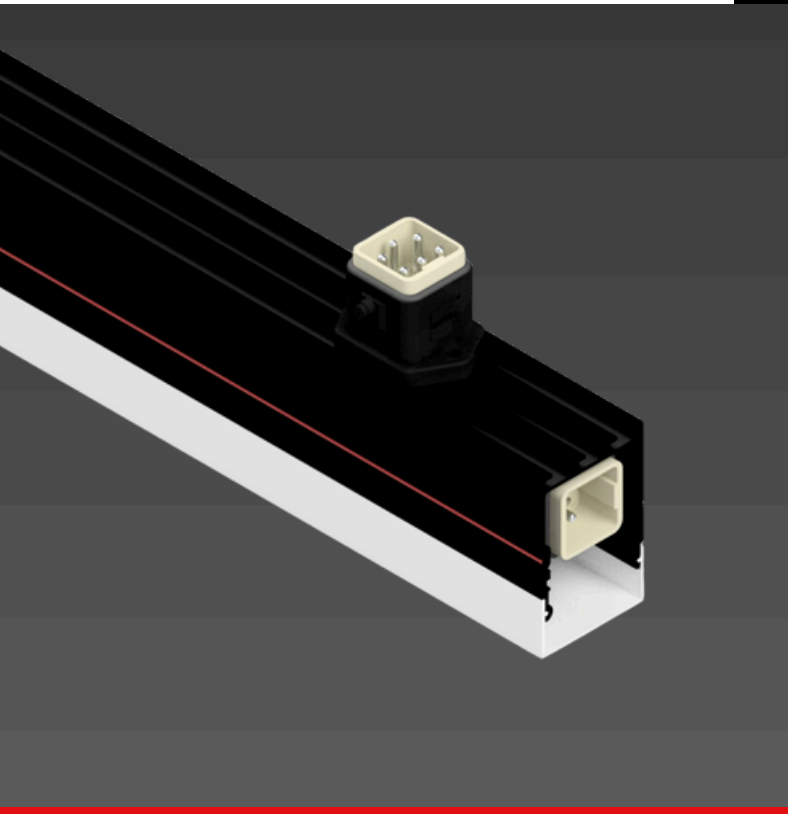
Plug and play installation.



# PRODUCT DATA SHEET



## PACE System - 1200 Top Input



### SPECIFICATION DATA

<b>Light source</b>	72 LEDs
<b>Typical source life</b>	50,000 hrs
<b>Power requirement</b>	230 VAC
<b>Power consumption</b>	18 W
<b>Colour temperature</b>	RGB
<b>Viewing angle</b>	120°
<b>Housing</b>	Aluminium profile
<b>Cover</b>	PC Diffused cover
<b>IP rating</b>	IP20
<b>Control</b>	LEDsnaps Driver
<b>Power Supply</b>	230 VAC I/P, 12V DC internal
<b>Connection</b>	Integrated 5-pin (Mains & Data)
<b>Listing</b>	CE Certified
<b>Operation temp</b>	-20°C to +40°C
<b>Storage temp</b>	-20°C to +70°C
<b>Dimensions</b>	1212mm x 53mm x 35mm
<b>Weight</b>	1.25kg
<b>Pixel Count</b>	24 Pixels

### DESCRIPTION

24 Controllable pixels arranged across 72 LEDs for both static and dynamic lighting effects from a custom made LED PCB.

Designed to work exclusively with the LEDSnaps Driver range.

Providing an immersive lighting experience with a hassle free installation.

Powered internally by Mean Well for stable and reliable power.

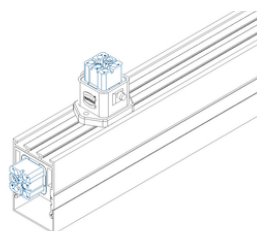
Up to 20 Pace can be joined together from a single Driver output.

Each Pace locks into the next for safety.

Plug and play installation.



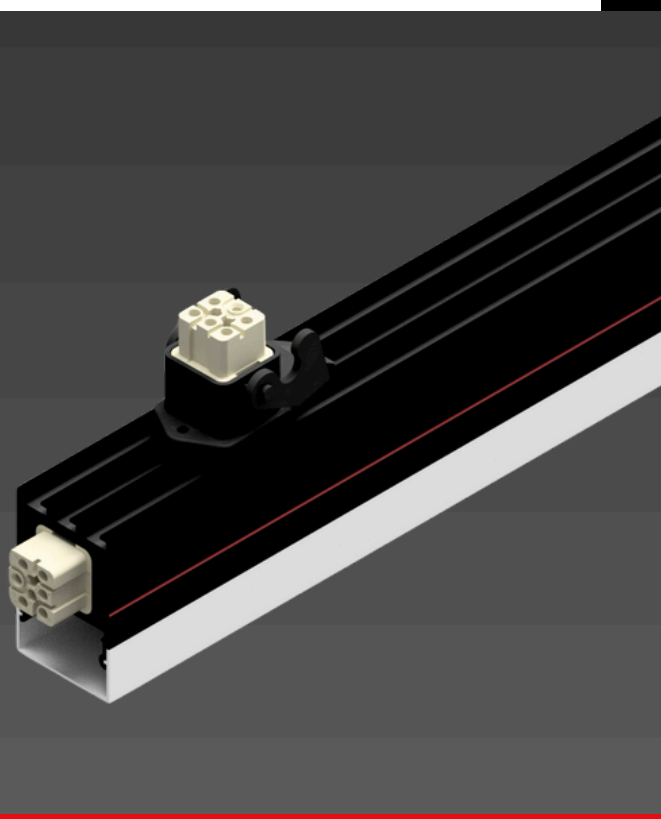
# PRODUCT DATA SHEET



# LED SNAPS

## PACE System - 1200 Top Output

### SPECIFICATION DATA



<b>Light source</b>	72 LEDs
<b>Typical source life</b>	50,000 hrs
<b>Power requirement</b>	230 VAC
<b>Power consumption</b>	18 W
<b>Colour temperature</b>	RGB
<b>Viewing angle</b>	120°
<b>Housing</b>	Aluminium profile
<b>Cover</b>	PC Diffused cover
<b>IP rating</b>	IP20
<b>Control</b>	LEDSnaps Driver
<b>Power Supply</b>	230 VAC I/P, 12V DC internal
<b>Connection</b>	Integrated 5-pin (Mains & Data)
<b>Listing</b>	CE Certified
<b>Operation temp</b>	-20°C to +40°C
<b>Storage temp</b>	-20°C to +70°C
<b>Dimensions</b>	1212mm x 53mm x 35mm
<b>Weight</b>	1.25kg
<b>Pixel Count</b>	24 Pixels

### DESCRIPTION

24 Controllable pixels arranged across 72 LEDs for both static and dynamic lighting effects from a custom made LED PCB.

Designed to work exclusively with the LEDSnaps Driver range.

Providing an immersive lighting experience with a hassle free installation.


Powered internally by Mean Well for stable and reliable power.

Up to 20 Pace can be joined together from a single Driver output.


Each Pace locks into the next for safety.

Plug and play installation.



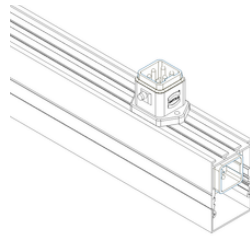
 [info@ledsnaps.com](mailto:info@ledsnaps.com)

 +44 (0) 1233 423 360

 [www.ledsnaps.com](http://www.ledsnaps.com)

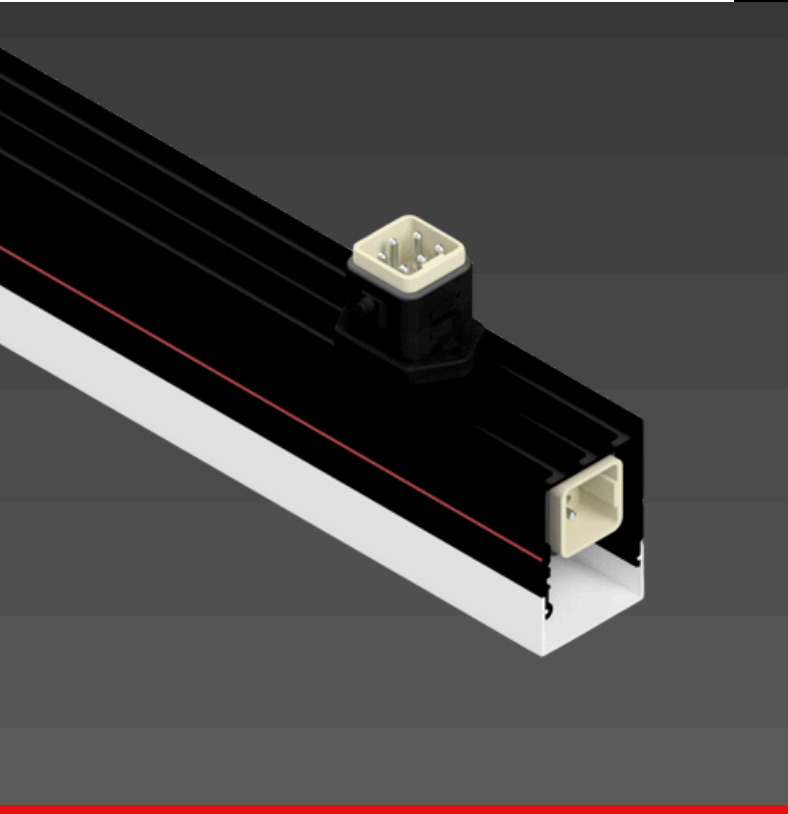
All rights reserved. Improvements changes to specifications, design, and all contents in this data sheet may be made at any time without prior notice.

# PRODUCT DATA SHEET



LED  SNAPS

## PACE System - 600 Top Input



### SPECIFICATION DATA

<b>Light source</b>	36 LEDs
<b>Typical source life</b>	50,000 hrs
<b>Power requirement</b>	230 VAC
<b>Power consumption</b>	9 W
<b>Colour temperature</b>	RGB
<b>Viewing angle</b>	120°
<b>Housing</b>	Aluminium profile
<b>Cover</b>	PC Diffused cover
<b>IP rating</b>	IP20
<b>Control</b>	LEDsnaps Driver
<b>Power Supply</b>	230 VAC I/P, 12V DC internal
<b>Connection</b>	Integrated 5-pin (Mains & Data)
<b>Listing</b>	CE Certified
<b>Operation temp</b>	-20°C to +40°C
<b>Storage temp</b>	-20°C to +70°C
<b>Dimensions</b>	612mm x 53mm x 35mm
<b>Weight</b>	1.1kg
<b>Pixel Count</b>	12 Pixels

### DESCRIPTION

12 Controllable pixels arranged across 36 LEDs for both static and dynamic lighting effects from a custom made LED PCB.

Designed to work exclusively with the LEDsnaps Driver range.

Providing an immersive lighting experience with a hassle free installation.


Powered internally by Mean Well for stable and reliable power.


Up to 20 Pace can be joined together from a single Driver output.


Each Pace locks into the next for safety.

Plug and play installation.



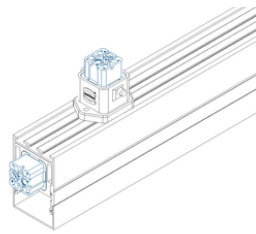
 [info@ledsnaps.com](mailto:info@ledsnaps.com)

 +44 (0) 1233 423 360

 [www.ledsnaps.com](http://www.ledsnaps.com)

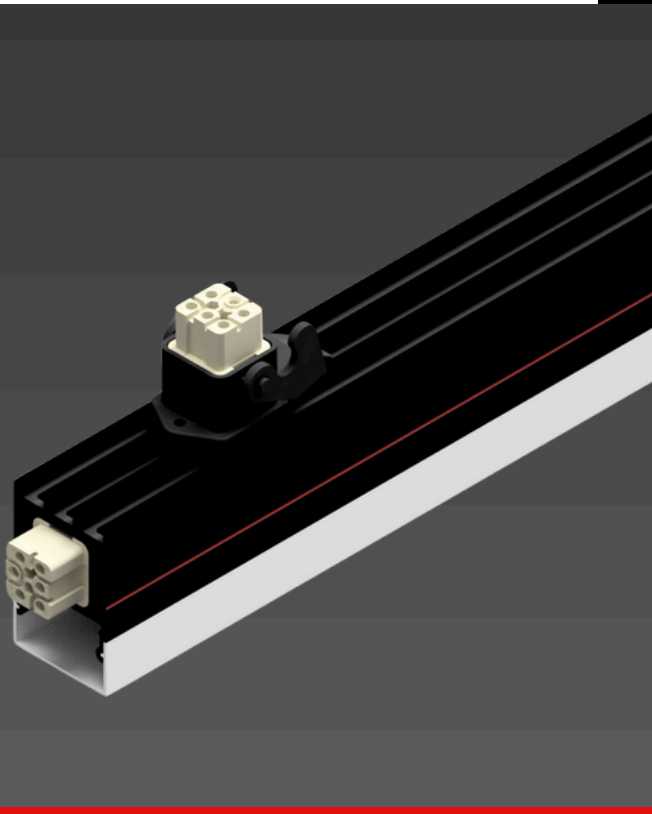
All rights reserved. Improvements changes to specifications, design, and all contents in this data sheet may be made at any time without prior notice.

# PRODUCT DATA SHEET



## PACE System - 600 Top Output

### SPECIFICATION DATA



<b>Light source</b>	36 LEDs
<b>Typical source life</b>	50,000 hrs
<b>Power requirement</b>	230 VAC
<b>Power consumption</b>	9 W
<b>Colour temperature</b>	RGB
<b>Viewing angle</b>	120°
<b>Housing</b>	Aluminium profile
<b>Cover</b>	PC Diffused cover
<b>IP rating</b>	IP20
<b>Control</b>	LED Snaps Driver
<b>Power Supply</b>	230 VAC I/P, 12V DC internal
<b>Connection</b>	Integrated 5-pin (Mains & Data)
<b>Listing</b>	CE Certified
<b>Operation temp</b>	-20°C to +40°C
<b>Storage temp</b>	-20°C to +70°C
<b>Dimensions</b>	612mm x 53mm x 35mm
<b>Weight</b>	1.1kg
<b>Pixel Count</b>	12 Pixels

### DESCRIPTION

12 Controllable pixels arranged across 36 LEDs for both static and dynamic lighting effects from a custom made LED PCB.

Designed to work exclusively with the LEDSnaps Driver range.

Providing an immersive lighting experience with a hassle free installation.

Powered internally by Mean Well for stable and reliable power.

Up to 20 Pace can be joined together from a single Driver output.

Each Pace locks into the next for safety.

Plug and play installation.

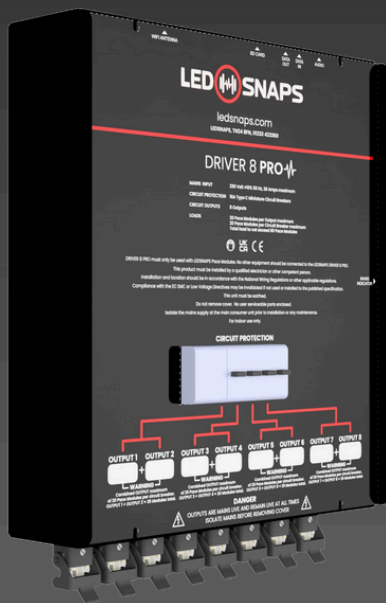




# PRODUCT DATA SHEET



## PACE System - Driver 8 Pro



### SPECIFICATION DATA

<b>Power input</b>	230 VAC
<b>Control interface</b>	Wi-Fi LEDSnaps app
<b>Connections</b>	Integrated 5-pin (Mains & Data)
<b>Listing</b>	CE Certified
<b>Housing</b>	Steel
<b>IP rating</b>	IP20
<b>Power consumption</b>	Less than 3 W
<b>Outputs</b>	8 independent outputs
<b>Data output</b>	SPI / TTL
<b>Operation temp</b>	-20°C to +60°C
<b>Storage temp</b>	-20°C to +70°C
<b>Dimensions</b>	350mm x 450mm x 100mm
<b>Weight</b>	5kg

### DESCRIPTION

Designed to work exclusively with the LEDSnaps PACE range.

Driver 8 Pro operates on a 208-240V, 50/60 Hz AC mains power supply.

Up to 20 PACE per output (not exceeding 80 PACE per Driver 8 Pro). For larger installations the Driver 8 Pro can be daisy chained to further Drivers to exceed 80 PACE.

Driver 8 Pro is pre-configured for your layout avoiding the need for costly and time consuming programming.

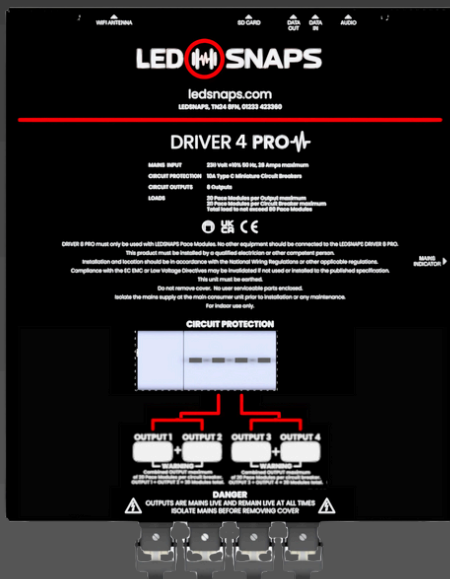
MCB connection



# PRODUCT DATA SHEET



## PACE System - Driver 4 Pro



### SPECIFICATION DATA

<b>Power input</b>	230 VAC
<b>Control interface</b>	Wi-Fi LEDSnaps app
<b>Connections</b>	Integrated 5-pin (Mains & Data)
<b>Listing</b>	CE Certified
<b>Housing</b>	Steel
<b>IP rating</b>	IP20
<b>Power consumption</b>	Less than 3 W
<b>Outputs</b>	4 independent outputs
<b>Data output</b>	SPI / TTL
<b>Operation temp</b>	-20°C to +60°C
<b>Storage temp</b>	-20°C to +70°C
<b>Dimensions</b>	350mm x 450mm x 100mm
<b>Weight</b>	5kg

### DESCRIPTION

Designed to work exclusively with the LEDSnaps PACE range.

Driver 4 Pro operates on a 208-240V, 50/60 Hz AC mains power supply.

Up to 20 PACE per output (not exceeding 40 PACE per Driver 4 Pro). For larger installations our Driver 8 Pro is available.

Driver 4 Pro is pre-configured for your layout avoiding the need for costly and time consuming programming.

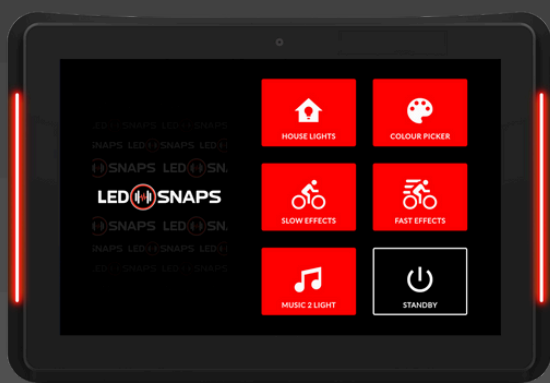
MCB connection



# PRODUCT DATA SHEET



## PACE System - Control Panel



### SPECIFICATION DATA

<b>Operation system</b>	Android 8.1
<b>Touch screen</b>	10-Point capacitive touch
<b>Panel</b>	10.1" LCD panel
<b>Resolution</b>	1280*800
<b>Contrast Ratio</b>	800
<b>Luminance</b>	250cd/m2
<b>Aspect Ratio</b>	16:10
<b>WiFi</b>	802.11b/g/n
<b>Dimensions</b>	273mm x 189mm x 30mm
<b>Weight</b>	0.72kg



### DESCRIPTION

The Control Panel has been designed to be intuitive and easy to use.

The tablet has 5 different modes including, house lights, colour picker, slow effects, fast effects and music to light.

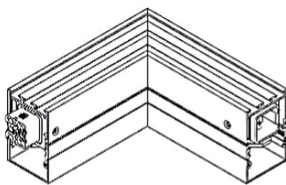
\*Customisation of the Home Screen is available upon request.

Pre-programmed app interface for seamless scrolling through effects patched for your lighting layout.

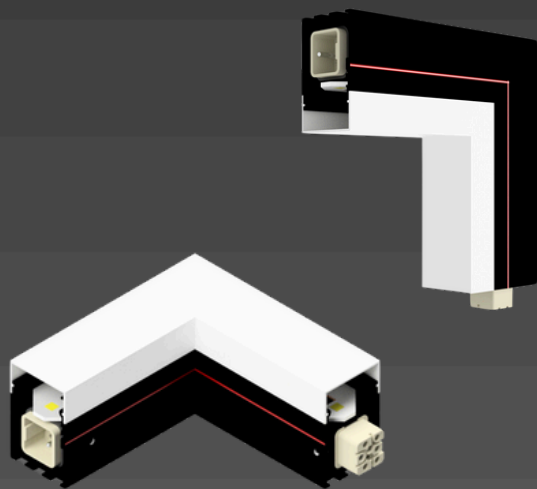
A mounting bracket is supplied to mount the tablet to a wall.



# PRODUCT DATA SHEET



## PACE System - Connecting Corners



### SPECIFICATION DATA

<b>Light source</b>	12 LEDs
<b>Typical source life</b>	50,000 hrs
<b>Power requirement</b>	230 VAC
<b>Power consumption</b>	3 W
<b>Colour temperature</b>	RGB
<b>Viewing angle</b>	120°
<b>Housing</b>	Aluminium profile
<b>Cover</b>	PC Diffused cover
<b>IP rating</b>	IP20
<b>Control</b>	LEDSnaps Driver
<b>Connection</b>	Integrated 5-pin (Mains & Data)
<b>Listing</b>	CE Certified
<b>Operation temp</b>	-20°C to +40°C
<b>Storage temp</b>	-20°C to +70°C
<b>Weight</b>	0.25kg
<b>Pixel Count</b>	4 Pixels
<b>Dimensions</b>	121mm (arm length) x 53mm x 35mm

### DESCRIPTION

Available in Left or Right Flat corner depending on installation design. Possible designs include chevrons, rectangles, squares etc.

An Inside corner is also available to create an up and over effect on a wall and ceiling installation.



# PRODUCT DATA SHEET

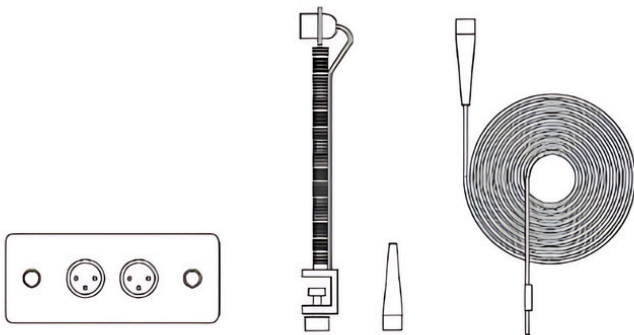


## PACE System - Essential Extras

### Mounting Hardware

We offer a complete range of fixing hardware to enable our lights to be installed on a variety of different surfaces.

- Infrastructure suspension kit
- Flat ceiling kit
- Track adapter kit
- Existing suspended ceiling kit
- Surface mount kit



### Audio Kits

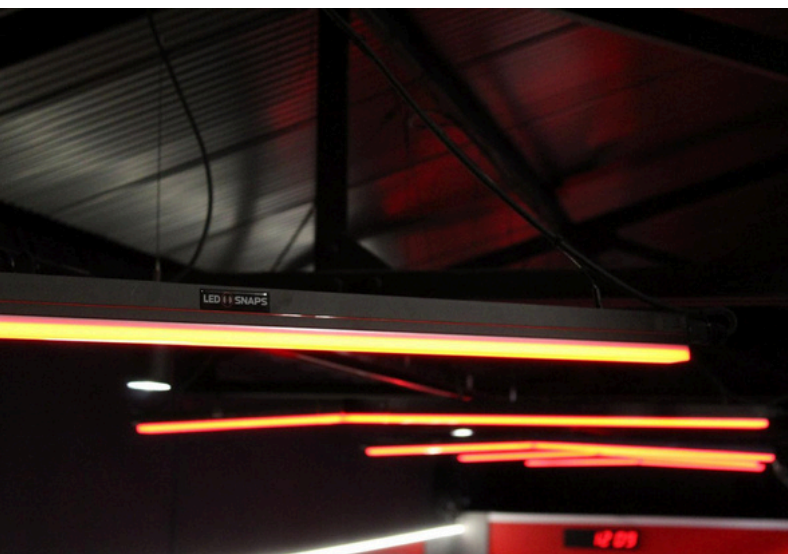
If you require the music to light mode we supply two different connection methods to your audio system. Our Line in kit includes everything you need to connect through a 3.5mm socket. Our microphone kit can sample the BPM from the music played in the room.

### Cables

To allow the PACE system to be plug-and-play, we use bespoke connectors and cables which are available in the following options:

Starter cables -  
2.5m, 5m, 10m and 20m.

Link cables -  
0.25m, 1m, 2.5m, 5m.



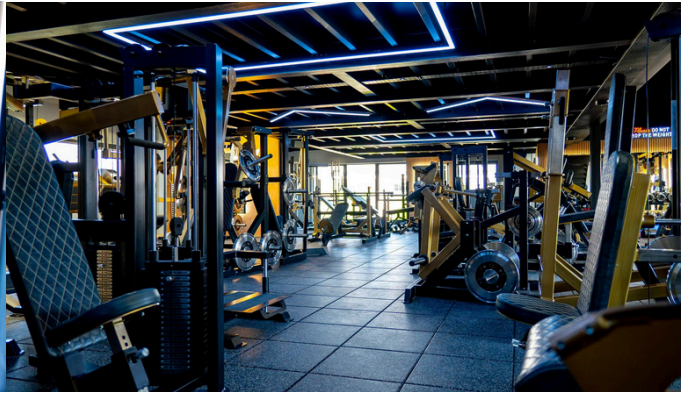
# PACE System Gallery



**SPIN**



**GYM FLOOR**



**BOXING**



**CARDIO AREA**



**YOGA**



**HOME GYM**



# PACE System

## Gallery

